

MAX-8



MAX-8

Excellent Performances & Reliability

CPCD50-100T8

T8 Diesel Forklift 5.0/6.0/7.0/8.0/10.0t



CPCD50/60/70T8

T8 series 5.0-7.0t forklift specification:

General	1	Manufacture															
	2	Model		CPCD50T8	CPCD60T8	CPCD70T8	CPCD50T8	CPCD60T8	CPCD70T8	CPCD50T8	CPCD60T8	CPCD70T8	CPCD50T8	CPCD60T8	CPCD70T8		
	3	Power type		Diesel													
Characteristics & Dimensions	4	Rated capacity		Kg	5000	6000	7000	5000	6000	7000	5000	6000	7000	5000	6000	7000	
	5	Load center		mm	600												
	6	Lift height		mm	3000												
	7	Free lift height		mm	130												
	8	Fork size		L×W×T	1220×150×55	1220×150×60	1220×150×65	1220×150×55	1220×150×60	1220×150×65	1220×150×55	1220×150×60	1220×150×65	1220×150×55	1220×150×60	1220×150×65	
	9	Mast tilt range		F/R	deg	6/12											
	10	Fork overhang(wheel center to fork face)		mm	635												
	11	Rear overhang		mm	700	770	810	700	770	810	700	770	810	700	770	810	
	12	Overall dimensions	Length to face of fork		mm	3455	3592	3592	3472	3592	3592	3472	3592	3592	3472	3592	3592
	13		Overall width		mm	1995											
	14		Mast lowered height		mm	2510											
	15		Mast extended height		mm	4429											
	16	Overall dimensions	Overhead guard height		mm	2410											
	17		Turning radius(outside)		mm	3330	3440	3480	3330	3440	3480	3330	3440	3480	3330	3440	3480
	18	Minimum rectangular aisle width.		mm	4068	4218	4218	4068	4218	4218	4068	4218	4218	4068	4218	4218	
	Performance	19	Travel (No load)		Km/h	26											
		21	Speed	Lifting (Full load)		mm/sec	500/430	500/380	500/380	500/380	500/380	500/380	500/380	500/380	500/380	500/380	500/380
		22		Max.Drawbar Pull (Full load)		N	21000	22200	24400	21000	22200	24400	21000	22200	24400	21000	22200
23		Max.Gradeability (Full load)		%	20												
Chassis	24	Tyres	Front		mm	8.25-15-14PR											
	25		Rear		mm	8.25-15-14PR											
	26	Tread	Font		mm	1470											
	27		Rear		mm	1700											
	28	Wheelbase		mm	2250												
	29	Ground clearance	Mast (No/Full load)		200/160												
30	Frame (No/Full load)		240/200														
Weight	31	Self weight		Kg	8000	8650	9050	8000	8650	9050	8000	8650	9050	8000	8650	9050	
	32	Weight Distribution	Full load		Front	10660	12452	13642	10660	12452	13642	10660	12452	13642	10660	12452	13642
	33		Rear	2340		2198	2028	2340	2198	2028	2340	2198	2028	2340	2198	2028	
	34			No load		Front	2800	3028	3168	2800	3028	3168	2800	3028	3168	2800	3028
	35		Rear	5200	5622		5882	5200	5622	5882	5200	5622	5882	5200	5622	5882	
Power & transmission	36	Battery		V/AH	24/80												
	37	Engine	Modal		S6S-T			QSF3-8			6BG332			6BG1			
	38		Manufacture		Mitsubishi			Cummins			CY			ISUZU			
	39		Rated output/r.p.m		kw	63.9/2300			86/2200			85/2200			82.3/2000		
	40		Rated torque/r.p.m		N.m	285/1700			470/1320			450/1400-1800			416/1400-1600		
	41		No.of cylinder		6			4			6			6			
	42		Bore×Stroke		mm	94*120			102x115			102×118			105/125		
	43		Displacement		cc	4996			3757			5785			6494		
	44		Fuel tank capacity		L	140			140			140			140		
	45	Manufacture		China													
	46	Transmissions		Type	Powershift												
	47	Stage		FWD/RVS	2/2												
48	Operating pressure		Mpa	19													

1. Special lifting height available (2-stage mast : 2.5m, 2.7m, 3.0m,3.3m, 3.5m,3.6m, 3.7m,4m,4.3m, 4.5m,5m. Full Free Duplex Mast 3.0m,3.3m,3.5m,3.6m. 3-stage mast : 4.3m, 4.5m, 4.8m, 5m, 5.5m, 6m)

2. Attachment available.

3. The parameters in the table are of the standard model. For more information, please contact us. 4. Specification are subject to change without notice.

CPCD80/100T8

T8 series 8.0-10.0t forklift specification:

General	1	Manufacture		CPCD80T8		CPCD100T8		CPCD80T8		CPCD100T8	
		2	Model		CPCD80T8		CPCD100T8		CPCD80T8		CPCD100T8
	3	Power type		Diesel							
	4	Rated capacity		Kg	8000	10000	8000	10000	8000	10000	
	5	Load center		mm	600						
Characteristics & Dimensions	6	Lift height		mm	3000						
	7	Free lift height		mm	200						
	8	Fork size	L×W×T	mm	1500×160×75	1500×160×80	1500×160×75	1500×160×80	1500×160×75	1500×160×80	
	9	Mast tilt range		F/R deg	6/12						
	10	Fork overhang(wheel center to fork face)		mm	728						
	11	Rear overhang		mm	680	700	680	700	680	700	
	12	Overall dimensions	Length to face of fork		mm	3950	4250	3950	4250	3950	4250
	13		Overall width		mm	2245					
	14		Mast lowered height		mm	2850					
	15		Mast extended height		mm	4420					
16	Overhead guard height		mm	2560							
	17	Turning radius(outside)		mm	3700	4050	3700	4050	3700	4050	
	18	Minimum rectangular aisle width.		mm	4580	4950	4580	4950	4580	4950	
Performance	19	Travel (No load)		Km/h	25						
	21	Speed	Lifting (Full load)	mm/sec	480/350	390/340	480/350	390/340	480/350	390/340	
	22	Max.Drawbar Pull (Full load)		N	25600	28500	25600	28500	25600	28500	
	23	Max.Gradeability (Full load)		%	20						
Chassis	24	Tyres	Front	mm	4x900-20-14PR						
	25		Rear	mm	2x900-20-14PR						
	26	Tread	Font	mm	1600						
	27		Rear	mm	1700						
	28	Wheelbase		mm	2500	2800	2500	2800	2500	2800	
	29	Ground clearance	Mast (No/Full load)		240/190						
30	Frame (No/Full load)		350/340								
Weight	31	Self weight		Kg	11050	12900	11050	12900	11050	12900	
	32	Weight Distribution	Full load	Front	17200	20900	17200	20900	17200	20900	
	33			Rear	1850	1960	1850	1960	1850	1960	
	34		No load	Front	4900	6260	4900	6260	4900	6260	
	35			Rear	6150	6640	6150	6640	6150	6640	
Power & transmission	36	Battery	Voltage/Capacity		V/AH	24/80					
	37	Engine	Modal			6BG332		QSF3-8		6BG1	
	38		Manufacture			China		Cummins		ISUZU	
	39		Rated output/r.p.m		kw	85/2200		86/2200		82.3/2000	
	40		Rated torque/r.p.m		N.m	450/1400-1800		470/1320		416/1400-1600	
	41		No.of cylinder			6		4		6	
	42		Bore×Stroke		mm	102×118		102×115		105/125	
	43		Displacement		cc	5785		3757		6494	
	44		Fuel tank capacity		L	160		160		160	
	45	Manufacture			China						
	46	Transmissions	Type			Powershift					
	47		Stage	FWD/RVS		2/2					
48	Operating pressure		Mpa	20.5							

1. Special lifting height available For further information please contact us. 2. Attachment available.
3. The specification in the table are for standard models only . For further information please contact us. 4. Specification are subject to change without notice.

5.0/6.0/7.0t T8 series mast: (pneumatic)

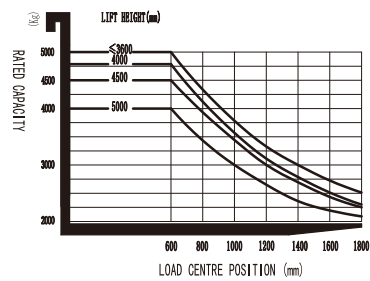
Type	Model	Max. fork height	Overall height				Free lift		Front Overhang	Tilt range		Capacity				
			Lowered	Extended		Without backrest	With backrest	FWD		BWD	Load capacity at 600 mm					
				Without backrest	With backrest						5.0t	6.0t	7.0t			
			mm	mm	mm	mm	mm	mm		mm	Deg	Deg	kg	kg	kg	
Wide view mast	2W300	3000	2510	4000	4430	130	130	635	6	12	5000	6000	7000			
	2W330	3300	2660	4200	4730	130	130	635	6	12						
	2W350	3500	2760	4500	4930	130	130	635	6	12						
	2W400	4000	3020	5000	5430	130	130	635	6	12						
	2W450	4500	3310	5500	5930	130	130	635	6	6						
	2W550	5500	3860	6500	6930	130	130	635	6	6				4800	5800	6800
Wide view full 2-stage mast	2F300	3000	2460	4000	4430	1545	1090	635	6	12	5000	6000	—			
	2F330	3300	2610	4300	4730	1695	1240	635	6	12						
	2F350	3500	2710	4500	4930	1795	1340	635	6	12						
	2F400	4000	3010	5000	5430	2095	1640	635	6	12						
Wide view full 3-stage mast	3F450	4500	2650	5750	5070	1740	1285	680	6	6	4500	5500	6500			
	3F480	4800	2765	6050	5375	1845	1390	680	6	6						
	3F500	5000	2830	6250	5575	1910	1455	680	3	6						
	3F540	5400	2965	6830	6150	2045	1590	680	3	6				4200	5200	5500
	3F600	6000	3165	7250	6570	2245	1790	680	3	6				4000	5000	5300

8.0/10.0t T8 series mast: (pneumatic)

Type	Model	Max. fork height	Overall height			Free lift		Front Overhang		Tilt range		Capacity	
			Lowered	Extended		Without backrest	With backrest	8.0t	10.0t	FWD	BWD	Load capacity at 600 mm	
				Without backrest	With backrest							8.0t	10.0t
			mm	mm	mm	mm	mm	mm	mm	Deg	Deg	kg	kg
Wide view mast	2W300	3130	2920	4310	210	210	728	728	6	12	8000	10000	
	2W330	3430	3070	4610	210	210	728	728	6	12			
	2W350	3630	3170	4810	210	210	728	728	6	12			
	2W400	4130	3470	5310	210	210	728	728	6	12			
	2W450	4630	3720	5810	210	210	728	728	6	12			
	2W550	5130	3970	6310	210	210	728	728	6	6			7200
Wide view full 3-stage mast	3F450	4530	2900	5875	1580	1580	768	768	6	6	7200	7800	
	3F480	4830	3000	6175	1680	1680	768	768	6	6	7000	7650	
	3F500	5030	3065	6375	1745	1745	768	768	6	6	6300	7500	
	3F550	5530	3255	6775	1935	1935	768	768	3	6	6500	7200	
	3F600	6030	3455	7375	2135	2135	768	768	3	6	6000	6000	

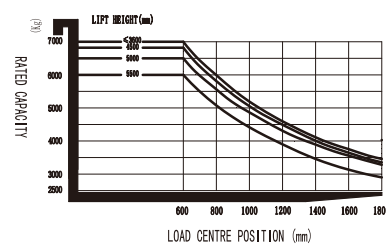
RATED CAPACITIES AND LOAD CENTERS GRAPH

CPCD50T8



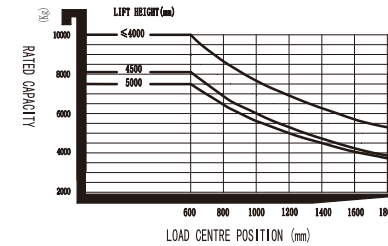
RATED CAPACITIES AND LOAD CENTERS GRAPH

CPCD70T8



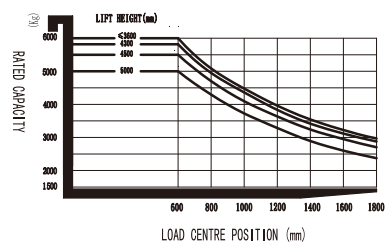
RATED CAPACITIES AND LOAD CENTERS GRAPH

CPCD100T8



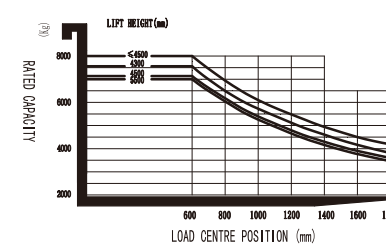
RATED CAPACITIES AND LOAD CENTERS GRAPH

CPCD60T8

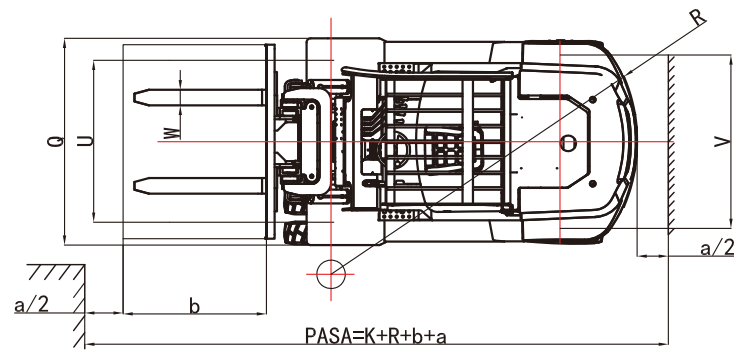
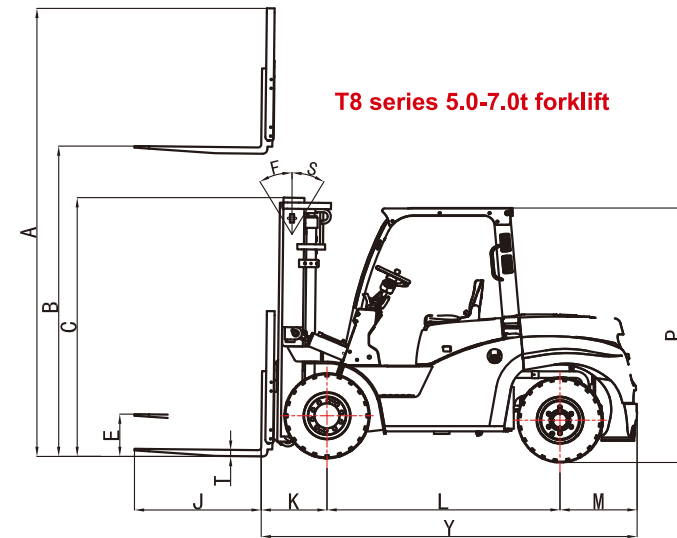


RATED CAPACITIES AND LOAD CENTERS GRAPH

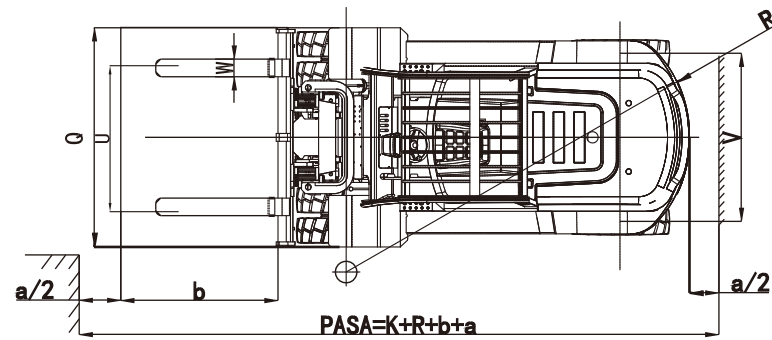
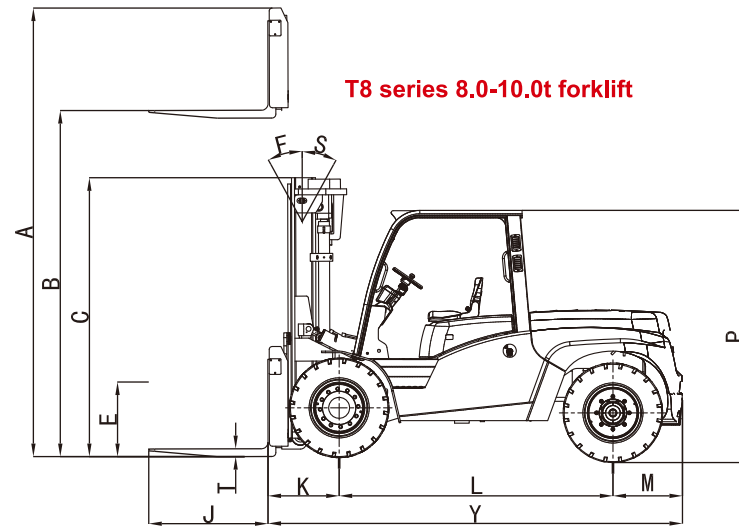
CPCD80T8



T8 series 5.0-7.0t forklift



T8 series 8.0-10.0t forklift



Option

	Options	CPCD50T8	CPCD60T8	CPCD70T8	CPCD80T8	CPCD100T8
1	Other dimension forks	○	○	○	○	○
2	Fork Extension	○	○	○	○	○
3	Folding fork	○	○	○	○	○
4	Fork positioner	○	○	○	○	○
5	Imported engine	○	○	○	○	○
6	High-mounted Exhaust system	○	○	○	○	○
7	Dual air cleaner	○	○	○	○	○
8	Solid tyre	○	○	○	○	○
9	No-mark tyre	○	○	○	○	○
10	Special height overhead guard	○	○	○	○	○
11	Overhead guard rainproof hood	●	●	●	●	●
12	Different lifting height masts	○	○	○	○	○
13	Attachment	○	○	○	○	○
14	Cabin	○	○	○	○	○
15	Heater	○	○	○	○	○
16	Front window with wiper	○	○	○	○	○
17	Rear window with wiper	○	○	○	○	○
18	Cabin without side doors	●	●	●	●	●
19	LED Front working light	●	●	●	●	●
20	LED rear working light	○	○	○	○	○
21	Fire extinguisher	○	○	○	○	○
22	Luxury Seat(full suspension)	○	○	○	○	○
23	Seat switch	●	●	●	●	●
24	Warning light under engine cover	○	○	○	○	○
25	Insulation mat	○	○	○	○	○
26	OPS system	○	○	○	○	○
27	Special carriage and backrest	○	○	○	○	○
28	FAN	○	○	○	○	○

Note: ● standard ○ option — NA







Machmall.com is an electromechanical product platform officially launched by XCMG, aiming to provide global customers with a complete set of high-quality construction machinery solutions and supporting equipment.

Xuzhou Construction Machinery Group Co., Ltd. (XCMG Group), founded in 1943, is the fourth largest worldwide construction machinery manufacturer and the largest in China with products covering 183 countries and regions.

XCMG have 12 complete solutions:Crane lifting,Mining Construction,Earth-moving Solutions,Road Machinery,Concrete Equipment,Tunnel and Underground Space Construction,Mobile Elevating Work Platform (MEWP),Piling and Non-excavation Equipment,Transportation Equipment, Environmental Sanitation Equipment,Firefighting,Safety and Emergency Rescue

徐工徐工，助您成功

— XCMG for your success —

